

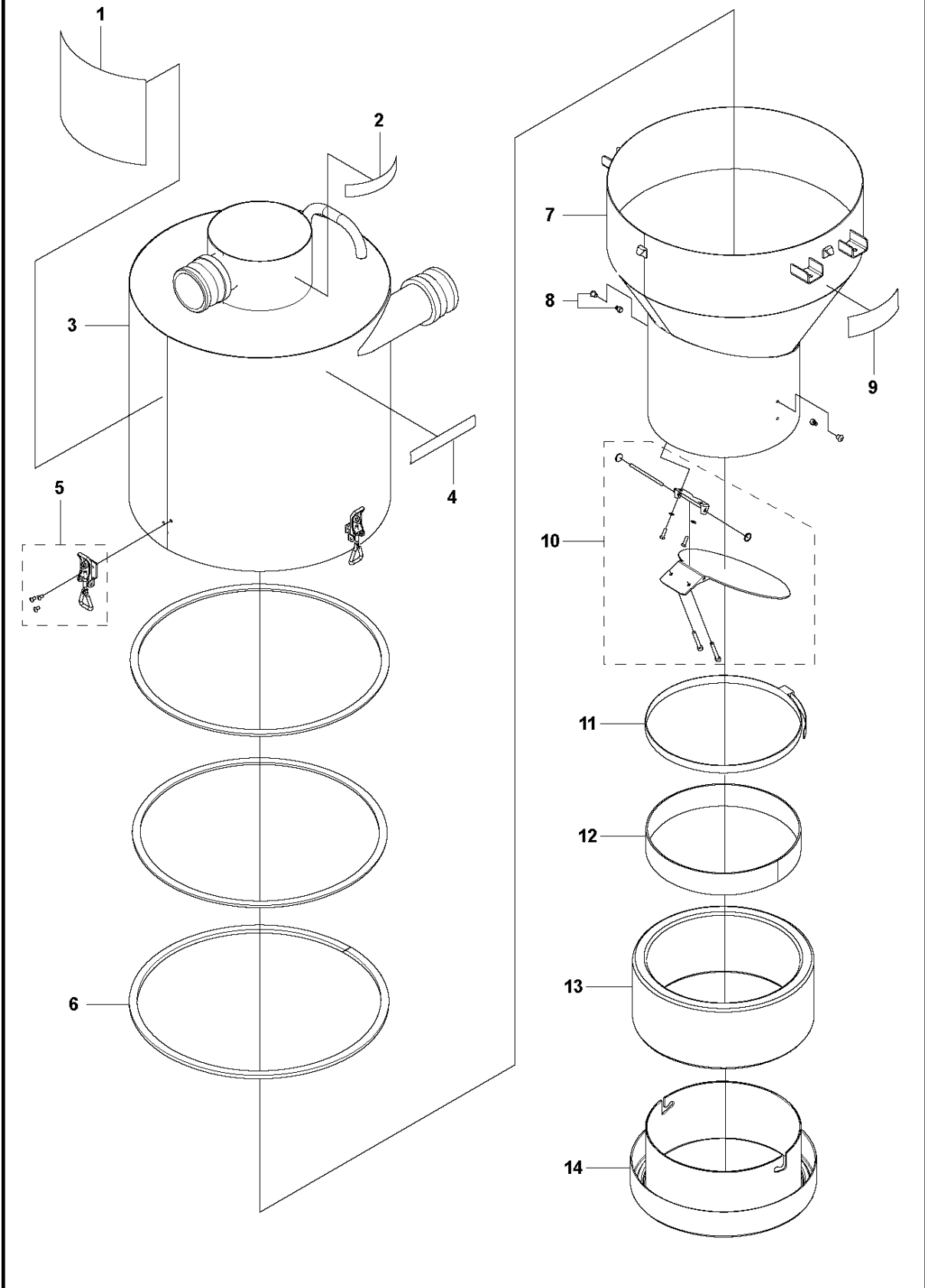


SPARE PARTS LIST

DUST AND SLURRY MANAGEMENT

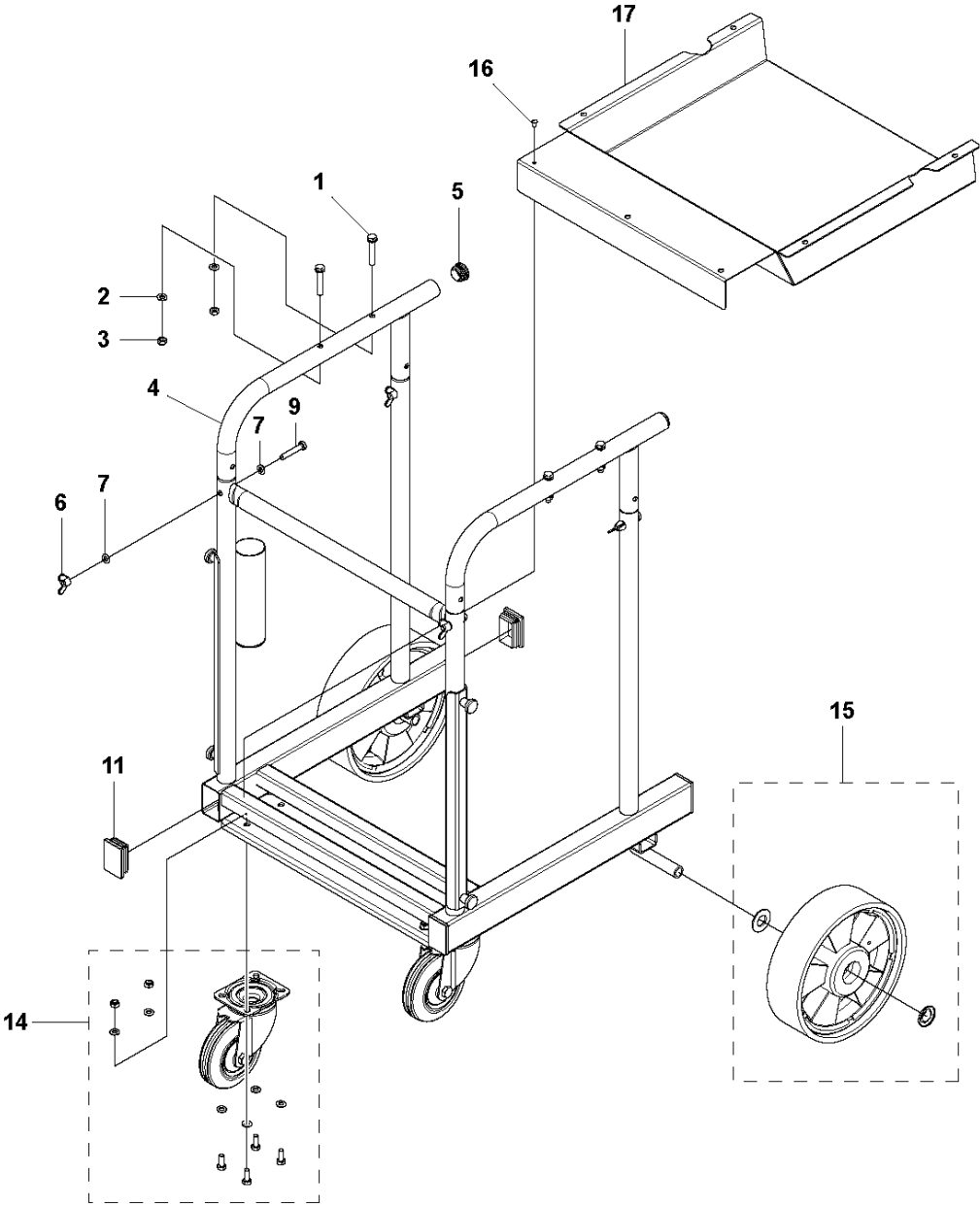
C5500, 2019-12

A C5500
CHASSIS / FRAME



Ref	Part No	Description	Remark	QTY KIT
1	590 74 99-02	DECAL		1
2	591 25 59-01	LABEL		1
3	590 45 78-02	TANK		1
4	591 25 58-01	LABEL		1
5	590 43 39-01	LATCH		3
6	596 21 73-01	SEAL	1,5m	1
7	590 48 01-02	TANK HALF		1
8	590 45 75-01	SCREW KIT		2
9	592 21 68-01	DECAL		1
10	590 45 66-01	FLAP		1
11	590 43 34-01	STRAP		1
12	590 40 23-01	SEAL		1
13	590 42 92-01	BAG		1
14	590 42 69-01	HOLDER		1

B C5500
CARRIAGE

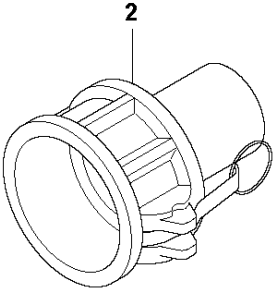
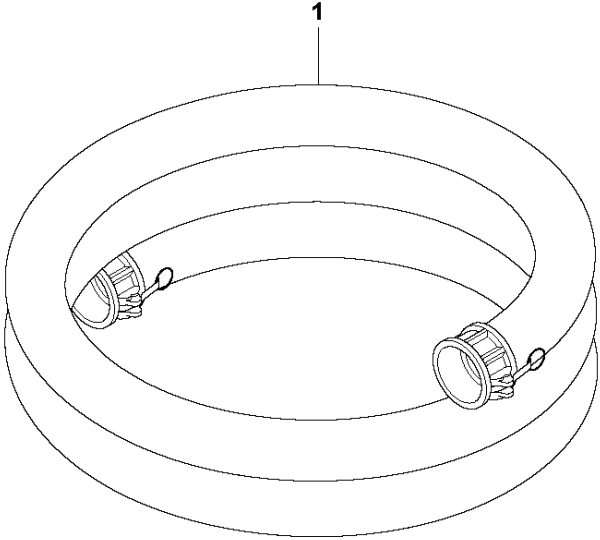


CARRIAGE

C5500, 2019-12

Ref	Part No	Description	Remark	QTY KIT
1	725 24 61-71	SCREW EHHM		4
2	734 11 63-01	WASHER		8
3	732 25 18-01	HEXAGON LOCKING NUT		4
4	597 20 95-01	HANDLE		2
5	597 21 34-01	CAP		2
6	591 76 55-01	NUT		4
7	734 11 63-01	WASHER		16
9	725 24 60-71	SCREW EHHM		4
11	592 27 05-01	PLUG		4
14	590 45 80-01	WHEEL KIT		1
15	590 45 79-01	WHEEL KIT		1
16	590 45 33-01	RIVET		7
17	592 23 80-01	PLATE		1

C C5500
ACCESSORIES



ACCESSORIES

C5500, 2019-12

Ref	Part No	Description	Remark	QTY KIT
1	590 43 70-01	HOSE		1
2	590 42 87-01	ADAPTER PLATE		1